

Офтальмологические микроскопы ARTEVO 750, ARTEVO 850, ARTEVO 800

Технические характеристики

По вопросам продаж и поддержки обращайтесь:

Алматы (727)345-47-04
Ангарск (3955)60-70-56
Архангельск (8182)63-90-72
Астрахань (8512)99-46-04
Барнаул (3852)73-04-60
Белгород (4722)40-23-64
Благовещенск (4162)22-76-07
Брянск (4832)59-03-52
Владивосток (423)249-28-31
Владикавказ (8672)28-90-48
Владимир (4922)49-43-18
Волгоград (844)278-03-48
Вологда (8172)26-41-59
Воронеж (473)204-51-73
Екатеринбург (343)384-55-89

Иваново (4932)77-34-06
Ижевск (3412)26-03-58
Иркутск (395)279-98-46
Казань (843)206-01-48
Калининград (4012)72-03-81
Калуга (4842)92-23-67
Кемерово (3842)65-04-62
Киров (8332)68-02-04
Коломна (4966)23-41-49
Кострома (4942)77-07-48
Краснодар (861)203-40-90
Красноярск (391)204-63-61
Курск (4712)77-13-04
Курган (3522)50-90-47
Липецк (4742)52-20-81

Магнитогорск (3519)55-03-13
Москва (495)268-04-70
Мурманск (8152)59-64-93
Набережные Челны (8552)20-53-41
Нижний Новгород (831)429-08-12
Новокузнецк (3843)20-46-81
Ноябрьск (3496)41-32-12
Новосибирск (383)227-86-73
Омск (3812)21-46-40
Орел (4862)44-53-42
Оренбург (3532)37-68-04
Пенза (8412)22-31-16
Петрозаводск (8142)55-98-37
Псков (8112)59-10-37
Пермь (342)205-81-47

Ростов-на-Дону (863)308-18-15
Рязань (4912)46-61-64
Самара (846)206-03-16
Санкт-Петербург (812)309-46-40
Саратов (845)249-38-78
Севастополь (8692)22-31-93
Саранск (8342)22-96-24
Симферополь (3652)67-13-56
Смоленск (4812)29-41-54
Сочи (862)225-72-31
Ставрополь (8652)20-65-13
Сургут (3462)77-98-35
Сыктывкар (8212)25-95-17
Тамбов (4752)50-40-97
Тверь (4822)63-31-35

Тольятти (8482)63-91-07
Томск (3822)98-41-53
Тула (4872)33-79-87
Тюмень (3452)66-21-18
Ульяновск (8422)24-23-59
Улан-Удэ (3012)59-97-51
Уфа (347)229-48-12
Хабаровск (4212)92-98-04
Чебоксары (8352)28-53-07
Челябинск (351)202-03-61
Череповец (8202)49-02-64
Чита (3022)38-34-83
Якутск (4112)23-90-97
Ярославль (4852)69-52-93

Россия +7(495)268-04-70

Казахстан +7(727)345-47-04

Беларусь +(375)257-127-884

Узбекистан +998(71)205-18-59

Киргизия +996(312)96-26-47

эл.почта: zsf@nt-rt.ru || сайт: <https://zeiss.nt-rt.ru/>

Seeing more with the first digital microscope.



ZEISS ARTEVO 800



Seeing more for greater certainty in surgery.



How can digital visualization help ophthalmologists reach new levels of performance? To help achieve superior outcomes and increase patient satisfaction? To find out, ZEISS worked closely with leading ophthalmic surgeons and developed the first digital microscope – the ARTEVO® 800 from ZEISS.

ZEISS ARTEVO 800 is a completely integrated digital microscope for heads-up surgery. As a leader in visualization technology for more than 170 years, ZEISS has embraced digital technology, combining ZEISS optics with the vast possibilities of digital imaging. See more with DigitalOptics™, AdVision® and Cloud Connectivity.

DigitalOptics

See like never before.

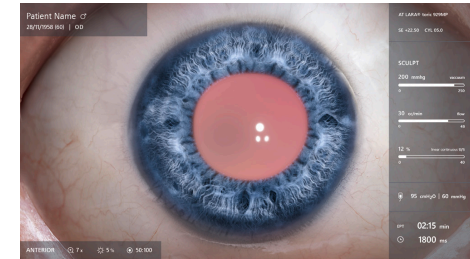
ZEISS ARTEVO 800 integrates the new DigitalOptics to provide optimized digital visualization during ophthalmic procedures. DigitalOptics allows for reduced light intensity, while providing outstanding depth of field and higher resolution images with natural colors.

ZEISS provides the technology to see like never before for more certainty in surgery. With DigitalOptics, ZEISS ARTEVO 800 enables you to see even more – with greater comfort.

"I've been working with the ZEISS team on the development of the new digital microscope. I was impressed by the very low level of light that is needed to really see the retina and do perfect surgery."

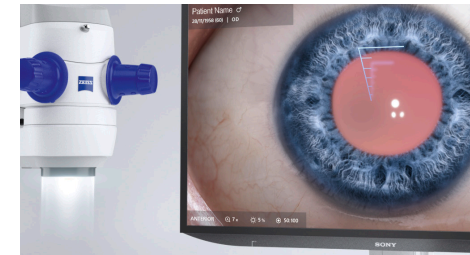
*Jean-François Korobelnik, MD
CHU de Bordeaux, France*

25% higher
resolution¹



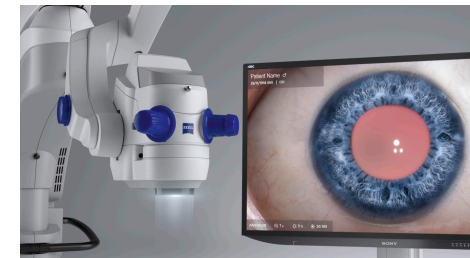
Excellent resolution and natural colors
Experience natural colors when you view the surgical field. The optical system is optimized to produce remarkably clear images.

Outstanding
depth of field²



Outstanding depth of field
ZEISS ARTEVO 800 is the microscope of choice to provide exceptional depth of field. See structures of the eye in focus at the same time.

25% better
light transmission³



Dramatically reduced light intensity
Provide your patients with more comfort during surgery. The DigitalOptics of the ZEISS ARTEVO 800 offers the choice to operate at reduced light intensity – while an uncompromised level of brightness is maintained.

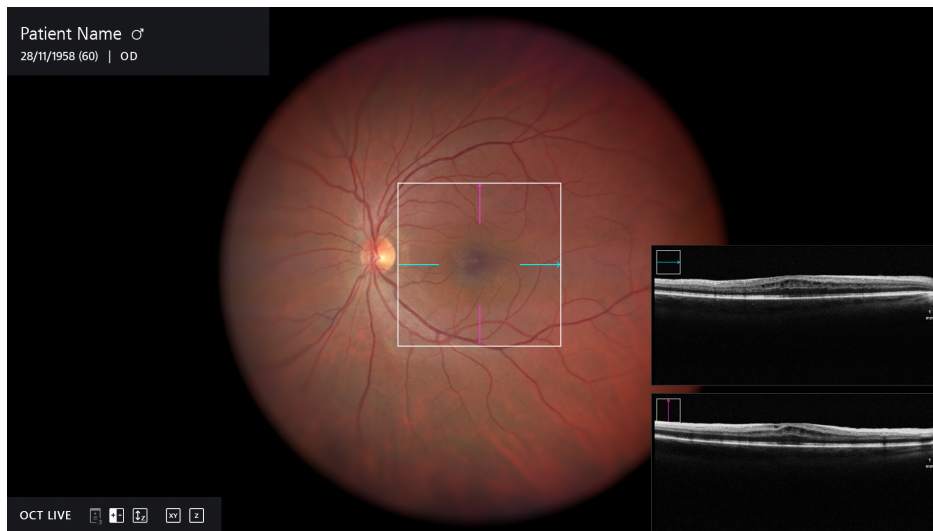
AdVision

Every detail in your line of sight.

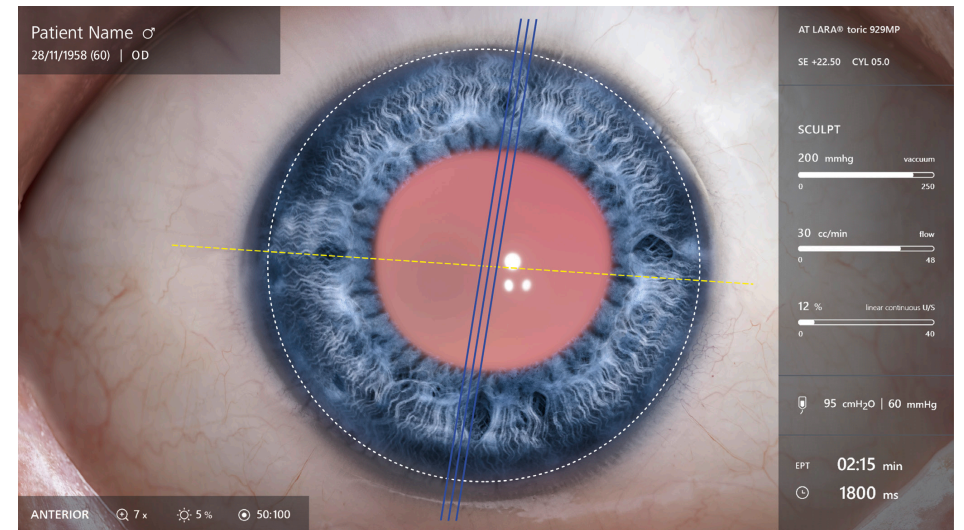
With ZEISS ARTEVO 800, make immediate decisions based on real-time data. AdVision places essential data where it is needed: into the view of the surgeon, without blocking the surgical field. See intraoperative OCT imaging, cataract assistance functions, phaco vitrectomy values and patient identification – to never miss a detail.

“With the integration of intraoperative OCT and heads-up 3D display in one platform, a whole new world of opportunity has opened. It is the wave of the future.”

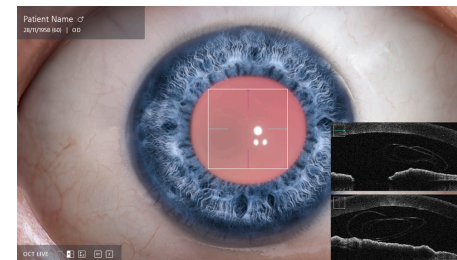
*Rishi Singh, MD
Cleveland Clinic, USA*



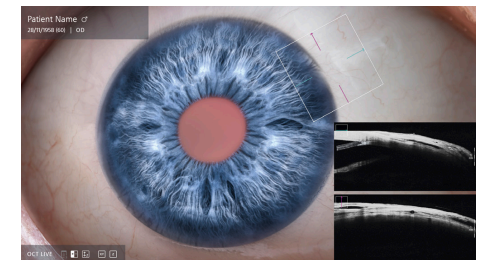
Retina surgery with integrated intraoperative OCT



Cataract surgery with assistance functions



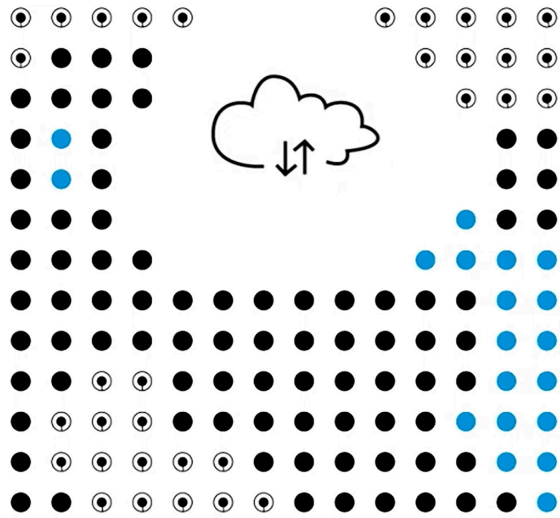
Cornea surgery with integrated intraoperative OCT



Glaucoma surgery with integrated intraoperative OCT

Cloud Connectivity

Access data, anytime and anywhere.



Cloud Connectivity allows surgeons to access essential information no matter where they are – and when they want. So whether it's in the OR during surgery, in the office reviewing a procedure, or in the classroom with students, Cloud Connectivity ensures the data is within easy reach and improves your workflow.

Experience wireless transfer of your data and images when you need it. The entire cataract workflow is now seamlessly connected to the cloud – from the office to surgery, and from surgery back to the office.

“The dream of every surgeon is to have all the information gathered together in one cloud system that is very proficient and very productive and makes our lives much easier in just one click.”

*Khalid Al-Sabti, MD, FRCS
Kuwait Specialized Eye Center, Kuwait*

AutoAdjust and Hybrid Mode

Without compromise.

With ZEISS ARTEVO 800 with Hybrid Mode, you can view the surgery using the 3D image on the screen or through the oculars. The operating team will continue to view the image and data on the 55" monitor.

AutoAdjust is designed to follow the surgeon's workflow and automatically adjusts settings without additional interaction – for example, when switching between anterior and posterior segments.

“With ZEISS ARTEVO 800, I can switch between anterior and posterior segments very quickly without the need to make any adjustments.”

*Peter Stalmans, MD,
UZ Leuven, Belgium*



AutoAdjust

Stay focused on your surgery. AutoAdjust anticipates your workflow and adjusts your settings automatically.



Hybrid Mode

For greater flexibility in the OR, you have the freedom to choose between digital and hybrid visualization without compromising the quality of visualization.



Customer Care from ZEISS

Optimizing your operation.

To efficiently deliver optimal surgical outcomes for your patients, you rely on the availability of your medical equipment every time you need it.

For maximum system uptime and convenience, you might want to consider a service agreement for your ZEISS ARTEVO 800.

Depending on the service package you choose, OPTIME service agreements from ZEISS cover preventive maintenance, corrective maintenance and spare parts.

Also available are different financing options. These ZEISS Financial Solutions allow you to acquire ZEISS technology developed especially for your individual needs.

No matter which ZEISS services you choose, we are committed to helping you optimize your business in every respect.

Technical data

ZEISS ARTEVO 800

Visualization	2x 3-Chip 4K Cameras External 55" 4K 3D video monitor Digital and hybrid mode available
Surgical microscope	Magnification factor = 0.4x–2.4x Focusing: electric/motorized, focus range: 70 mm DigitalOptics
Illumination	SCI (Stereo-Coaxial Illumination) included Xenon, LED and Halogen available Optional filters available
Slit illumination	Integrated slit illuminator Slit widths: 0.2 mm, 2 mm, 3 mm, 4 mm Slit height: 12 mm External slit illumination VISULUX available

ZEISS Intraoperative OCT

Scan parameters	A-Scan depth: 2.9 and 5.8 mm in tissue Scan length adjustable 3 – 16 mm Scan rotation adjustable 360° Scan modes for live and capture acquisition: Live: 1-line Capture: 1-line 5-lines 5-line cross hair cube
------------------------	--

ZEISS RESIGHT family

Fundus viewing systems	ZEISS RESIGHT 500 (manual) ZEISS RESIGHT 700 (motorized)
Lenses available	60D and 128D

ZEISS CALLISTO eye

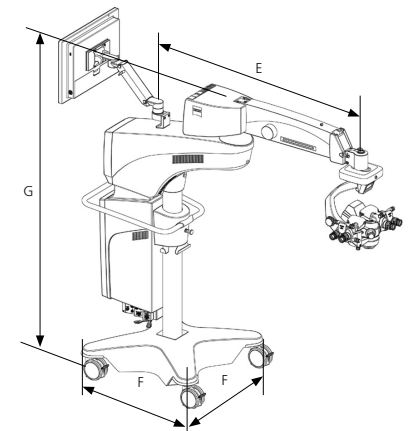
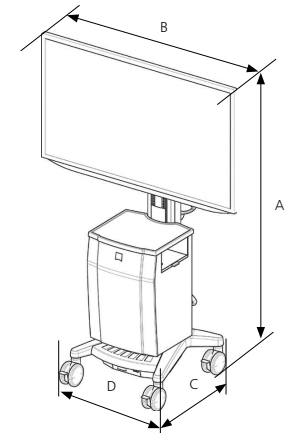
Assistance functions	Z ALIGN®: perform toric IOL centration on the visual axis provided by the IOLMaster and perform rotational alignment Incision: position incisions, optionally on the steep axis; add opposite clear cornea incision and paracenteses Rhexis: size and shape capsulorexis and align the IOL on the visual axis provided by the IOLMaster LRI: perform relaxing incisions K TRACK®: estimate the local corneal curvature in combination with a keratoscope
-----------------------------	---

Connectivity

Data management	DICOM module for image and video data transfer to and from PACS (e.g., ZEISS FORUM) Cloud Connectivity available
------------------------	---

Measurements

Monitor	Total height (A) 1830 mm Monitor width (B) 1265 mm Monitor cart length (C) 721 mm Monitor cart width (D) 621 mm
Microscope	Swivel arm length (E) 893 mm Microscope footprint (F) 805 mm Total height (G) 1880 mm



Elevate your surgical workflow



ZEISS ARTEVO 750



Seeing beyond

ZEISS ARTEVO 750

The powerhouse in visualization and digital connectivity



Introducing the ARTEVO® 750 from ZEISS, an optical ophthalmic microscope, designed to elevate your surgical workflow.

Based on ZEISS' heritage of developing leading-edge optical innovations, ZEISS ARTEVO 750 is the latest addition to the portfolio of ophthalmic microscopes, combining advanced technology with established optical expertise.

Experience LED RGB illumination, AdVision® data overlays and digital integration into the ZEISS Medical Ecosystem – for excellent usability and a seamless end-to-end workflow.

- ✓ Finetune your surgical view
- ✓ Excellent usability
- ✓ End-to-end workflow integration

Finetune your surgical view

Adjustable light color temperature

RGB LED illumination allows you to select different light color temperatures according to your preferences, to illuminate the surgical field as needed. Tailor the light to your surgical needs, or have it adjust automatically according to your surgical profile. The well-established Stereo Coaxial Illumination (SCI) delivers highly stable and high contrast red reflex.

ZEISS ARTEVO 750 also presents AdVision® a system that overlays surgery data into your eyepiece at higher* resolution.



RGB LED illumination

Customize your surgical view by selecting the light color temperature you need: a mix of red, green and blue LEDs generate different light color temperatures, from cold to warm, with a high-quality light spectrum and a color rendering index (CRI) of > 85 at 5500 K.

LEDs are an economical light source that do not need regular replacement like halogen or xenon bulbs, reducing the costs of ownership of the microscope.

AdVision

Data overlays are injected into your eyepiece at a 40%* higher resolution and high contrast. Select from a wide range of cataract assistance functions, phaco parameters of QUATERA® 700 from ZEISS, or intraoperative OCT.

* Data on file. Compared to the previous generation ZEISS OPMI LUMERA 700.

Excellent usability

One centralized point of control

Streamline your OR workflow with the intuitive cockpit of the new CALLISTO eye® from ZEISS: a central point of control giving you access to patient management, cataract assistance functions to align toric IOLs precisely, and device settings via one simplified user interface.



CALLISTO eye at a glance

Redesigned graphical user interface

The ZEISS CALLISTO eye cockpit features a redesigned graphical user interface that is intuitive and easy to use.

Surgeon-controlled assistance functions

The assistance functions can be completely surgeon-controlled with a push of a button on either the foot control panel or the handgrips.

End-to-end workflow integration

Following your efficiency demands

Digital integration of ZEISS ARTEVO 750 into the ZEISS Cataract Workflow allows pre-operative data to be imported seamlessly from ZEISS IOLMaster 700 and ZEISS EQ Workplace. After surgery, you can view, analyze and share cases with ZEISS Surgery Optimizer featuring AI-based video segmentation. The optionally available integrated intraoperative OCT integrates into your workflow with excellent usability.

The ZEISS Cataract Workflow strives for efficiency without compromise by providing a seamless integration from the office to the OR and back.



Technical data

ZEISS ARTEVO 750

Visualization	AdVision® augmented ocular visualization via high-resolution data injection: cataract assistance functions, phaco values (ZEISS QUATERA 700), OCT optionally Integrated 1-chip or 3-chip camera
Surgical microscope	DeepView to adjust depth of field Magnification 3,5x - 21x (with objective lens f=200 and eyepiece 10x) Focus range: 70mm; FastFocus available Integrated electronic assistant scope (option) Integrated keratoscope ring (option)
Illumination	Stereo Coaxial Illumination (SCI) RGB LED (adjustable light color temperature 3000K-6000K) or Xenon Superlux Eye Optional filters available
Slit illumination	Integrated slit illuminator Slit widths: 0.2 mm, 2 mm, 3 mm, 4 mm Slit height: 12 mm Second light source option for motorized external slit illuminator VISULUX

ZEISS Intraoperative OCT

Scan parameters	A-Scan depth: 2.9 and 5.8 mm in tissue Scan length adjustable 3 – 16 mm Different scan modes for live and capture acquisition Scan-location aligned B-scans Scale indicator Automatic noise reduction on/off AutoZ Z tracking and XY tracking
------------------------	--

ZEISS RESIGHT family

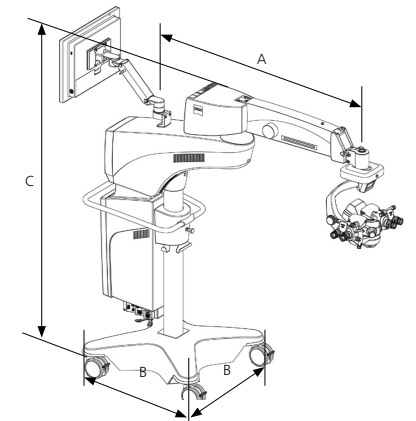
Fundus viewing systems	ZEISS RESIGHT 700 AutoAdjust® for automatic anterior/posterior profile switching
Lenses available	60D and 128D (reusable) MACULA LENS, ULTRA WIDE-ANGLE LENS, WIDE-ANGLE LENS (single-use)

ZEISS CALLISTO eye

Software	Version 5.0
Hardware	Panel PC III
Recording	Integrated high quality MPEG 1080p 60/50 fps video recording, including AdVision overlays

Measurements

Microscope	Swivel arm length (A) 1343 mm Microscope footprint (B) 805 mm Total height (C) 1880 mm
-------------------	--



* ZEISS VERACITY Surgery Planner for US and Canada.



ZEISS ARTEVO 850

Technical Specifications



Seeing beyond

ZEISS ARTEVO® 850

Visualization	4K HDR 55" 3D monitor 2x 3-Chip 4K Cameras Digital and hybrid mode AdVision® augmented overlays: cataract assistance functions, phaco values (ZEISS QUATERA 700), OCT optionally
Surgical microscope	Smart DoF and DeepView to adjust depth of field Digital Color Assistant (DCA): preset bluish color codings and custom Magnification 3,5x - 21x (with objective lens f=200 and eyepiece 10x) Focus range: 70mm; FastFocus available Integrated electronic assistant scope (option) Integrated keratoscope ring (option)
Illumination	Stereo Coaxial Illumination (SCI) RGB LED (adjustable light color temperature 3000K-6000K) or Xenon Superlux Eye Optional filters available
Slit illumination	Integrated slit illuminator Slit widths: 0.2 mm, 2 mm, 3 mm, 4 mm Slit height: 12 mm Second light source option for motorized external slit illuminator VISULUX

ZEISS Intraoperative OCT

Scan parameters	A-Scan depth: 2.9 and 5.8 mm in tissue Scan length adjustable 3 – 16 mm Different scan modes for live and capture acquisition Scan-location or side-aligned B-scans Scale indicator Automatic noise reduction on/off AutoZ Z tracking and XY tracking
------------------------	--

ZEISS RESIGHT family

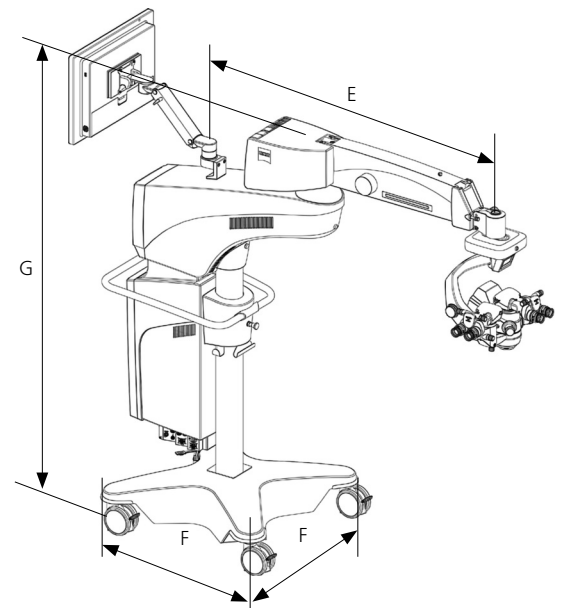
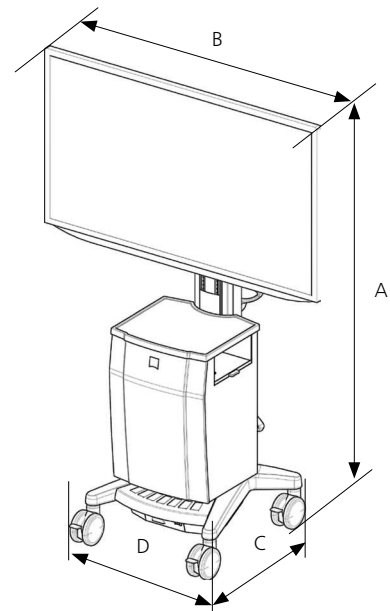
Fundus viewing systems	ZEISS RESIGHT 700 AutoAdjust® for automatic anterior/posterior profile switching
Lenses available	60D and 128D (reusable) MACULA LENS, ULTRA WIDE-ANGLE LENS, WIDE-ANGLE LENS (single-use)

ZEISS CALLISTO eye

Software	Version 5.0
Hardware	Panel PC III
Recording	Integrated high quality MPEG 1080p 60/50 fps video recording, including AdVision overlays

Measurements

Monitor	Total height (A) 1821 mm Monitor width (B) 1250 mm Monitor cart length (C) 721 mm Monitor cart width (D) 621 mm
Microscope	Swivel arm length (E) 1343 mm Microscope footprint (F) 805 mm Total height (G) 1880 mm



По вопросам продаж и поддержки обращайтесь:

Алматы (727)345-47-04
Ангарск (3955)60-70-56
Архангельск (8182)63-90-72
Астрахань (8512)99-46-04
Барнаул (3852)73-04-60
Белгород (4722)40-23-64
Брянск (4832)59-03-52
Владивосток (423)249-28-31
Владикавказ (8672)28-90-48
Владимир (4922)49-43-18
Волгоград (844)278-03-48
Вологда (8172)26-41-59
Воронеж (473)204-51-73
Екатеринбург (343)384-55-89

Иваново (4932)77-34-06
Ижевск (3412)26-03-58
Иркутск (395)279-98-46
Казань (843)206-01-48
Калининград (4012)72-03-81
Калуга (4842)92-23-67
Кемерово (3842)65-04-62
Киров (8332)68-02-04
Коломна (4966)23-41-49
Кострома (4942)77-07-48
Краснодар (861)203-40-90
Красноярск (391)204-63-61
Курск (4712)77-13-04
Курган (3522)50-90-47
Липецк (4742)52-20-81

Магнитогорск (3519)55-03-13
Москва (495)268-04-70
Мурманск (8152)59-64-93
Набережные Челны (8552)20-53-41
Нижний Новгород (831)429-08-12
Новокузнецк (3843)20-46-81
Ноябрьск (3496)41-32-12
Новосибирск (383)227-86-73
Омск (3812)21-46-40
Орел (4862)44-53-42
Оренбург (3532)37-68-04
Пенза (8412)22-31-16
Петрозаводск (8142)55-98-37
Псков (8112)59-10-37
Пермь (342)205-81-47

Ростов-на-Дону (863)308-18-15
Рязань (4912)46-61-64
Самара (846)206-03-16
Санкт-Петербург (812)309-46-40
Саратов (845)249-38-78
Севастополь (8692)22-31-93
Саранск (8342)22-96-24
Симферополь (3652)67-13-56
Смоленск (4812)29-41-54
Сочи (862)225-72-31
Ставрополь (8652)20-65-13
Сургут (3462)77-98-35
Сыктывкар (8212)25-95-17
Тамбов (4752)50-40-97
Тверь (4822)63-31-35

Тольятти (8482)63-91-07
Томск (3822)98-41-53
Тула (4872)33-79-87
Тюмень (3452)66-21-18
Ульяновск (8422)24-23-59
Улан-Удэ (3012)59-97-51
Уфа (347)229-48-12
Хабаровск (4212)92-98-04
Чебоксары (8352)28-53-07
Челябинск (351)202-03-61
Череповец (8202)49-02-64
Чита (3022)38-34-83
Якутск (4112)23-90-97
Ярославль (4852)69-52-93

Россия +7(495)268-04-70

Казахстан +7(727)345-47-04

Беларусь +(375)257-127-884

Узбекистан +998(71)205-18-59

Киргизия +996(312)96-26-47

эл.почта: zsf@nt-rt.ru || сайт: <https://zeiss.nt-rt.ru/>